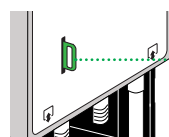
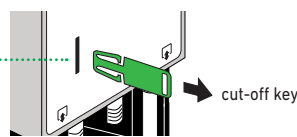


Filter with two options of cut-off: At channel 59 or 60

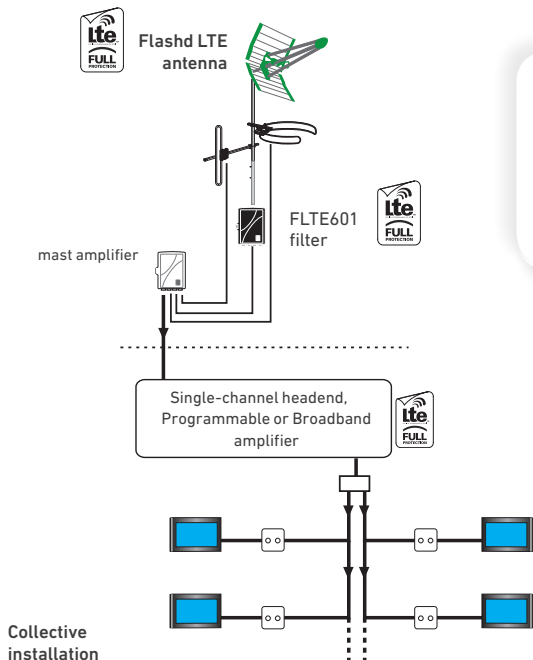
Professional filter with 2 stop options on the band frequencies: Up to channel 59 or up to channel 60. A built-in key makes it easy to configure.



pass filter up to channel 59

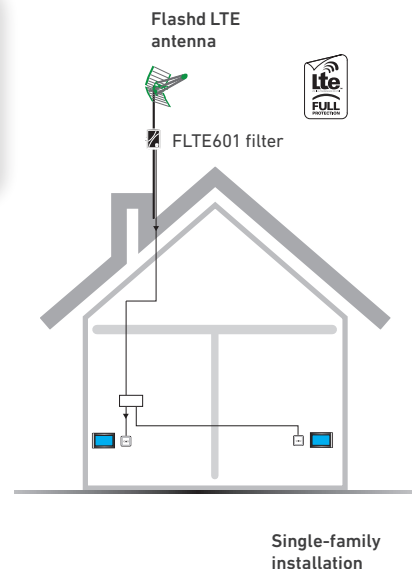


pass filter up to channel 60



Prevention Solutions against LTE signals

- HDT818 antenna or FLTE601 filter
 - In case of NOT having channels 59 and 60
- HDT618 antenna + FLTE601 filter
 - In installations with channels 59 or 60
 - Proximity of 4G mobile base station



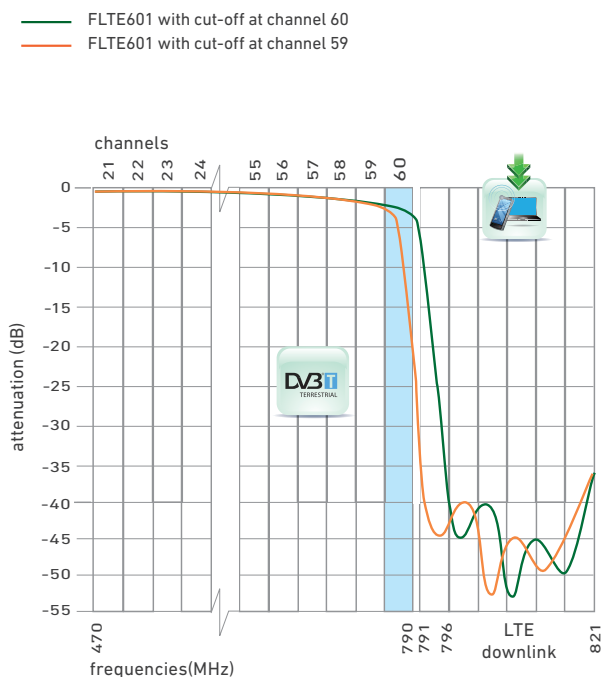
Main Characteristics

MODEL		FLTE601	
REF.		1435	
Two cut-off options		59 channel	60 channel
Pass band frequencies	MHz	470 ... 782	470 ... 790
Attenuation LTE frequencies	dB	see graph on next page	
Insertion losses	dB		
Dimensions	mm	96 x 125 x 46	

1 single filter with 2 cutoff options!

- High-rejection helicoid filter designed with a new concept.
- One single filter with two stop frequencies on channel 59 or 60, depending on the radio spectrum, the FLTE601 can be configured as a pass filter up to channel 59 or channel 60. A built-in key makes it easy to do.
- Designed for most installations, comparable with the top-range filters on the market, capable of providing maximum protection to TV installations, preventing damaging LTE down-links.
- In cases in which the TV installation is very close to the LTE base stations and channel 60 is available, it may be necessary to combine the LTE Flashd Antenna + FLTE601 filter.
- Minimal losses on the highest TV channel and rejection of more than 45 dB to the LTE frequencies.
- Equipped with a connectorized coaxial cable coupling on both ends, making the connection easier for the installer, with the subsequent time savings.
- Housed in weatherproof box with an IP55 protection level.

Filter attenuation graph



Installation example

