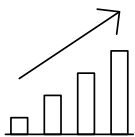
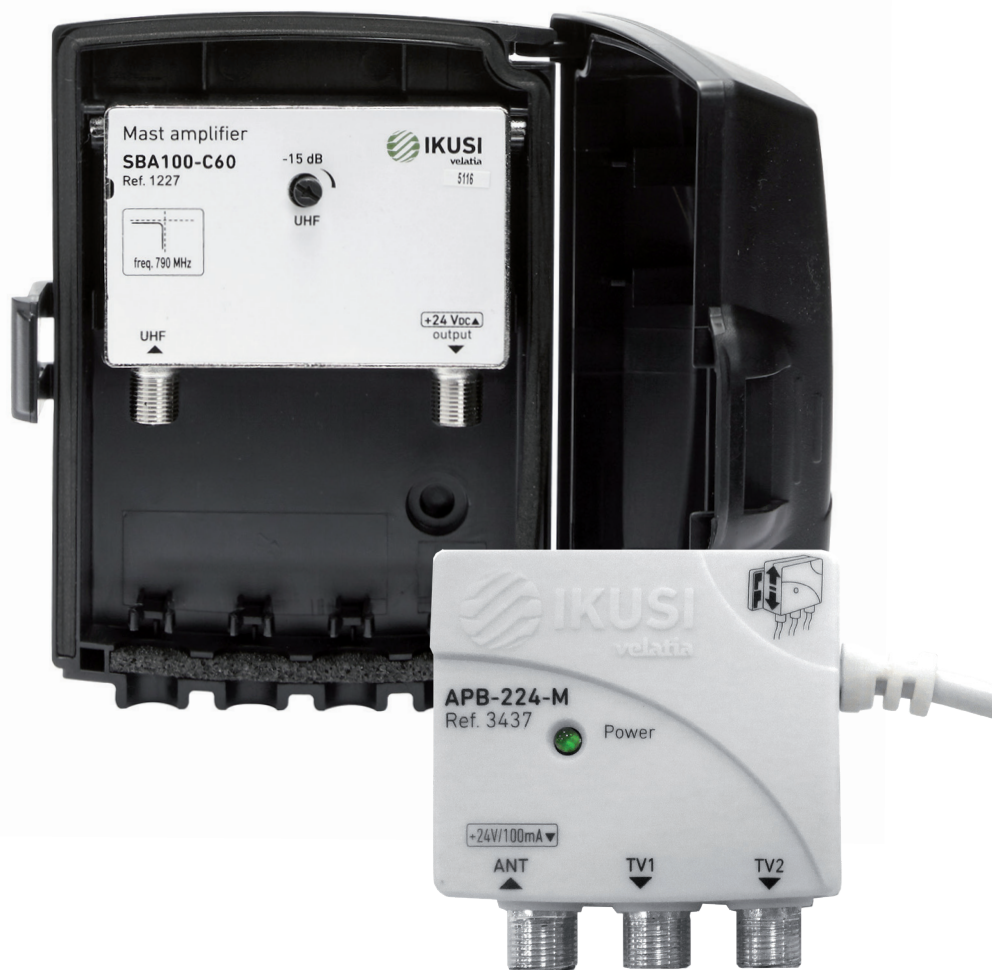




IKUSI

Multiband mast amplifiers + Power supply kit

Solution for amplifying the TV signal, providing protection against LTE interferences.



Very high UHF gain



Very low operative noise figure



Adapted to the first and second digital dividend

Mast amplifier + power supply kits

MODEL	REF.	DESCRIPTION
JSBA-100-C69	1223	Amplifier SBA-100-C69 + Power supply APB-224-M
JSBA-100-C60	1222	Amplifier SBA-100-C60 + Power supply APB-224-M
JSBA-100-C48	1224	Amplifier SBA-100-C48 + Power supply APB-224-M

Main features SBA100 amplifier

- Adapted to the first and second digital dividend
- Very high UHF gain.
- Interstage variable attenuators.
- Optimum design for very low operative noise figure.
- Internal injection-moulded zinc alloy housing with F type ports.

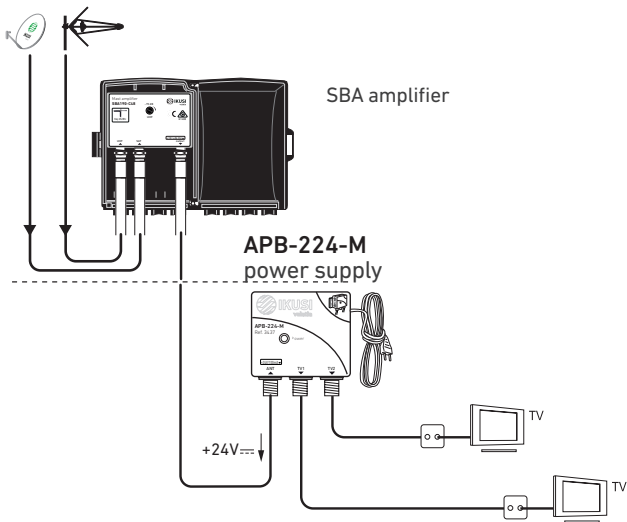
MODEL	REF.	SBA100 series	
SBA-100-C69	1225	Frequency range MHz	470 - 862
SBA-100-C60	1227		470 - 790 (1 st dividend)
SBA-100-C48	1228		470 - 694 (2 nd dividend)
RF inputs			1
			UHF
Nominal gain	dB		> 40
Gain adjustment	dB		0 - 15
Noise figure	dB		≤ 2
Output level (DM-B, -60dB)	dBμV		106
Operation voltage	Voc		+24
Consumption	mA		55
Protection level	IP		IP54
Dimensions	mm		96 x 125 x 46

Main features APB-224-M power supply

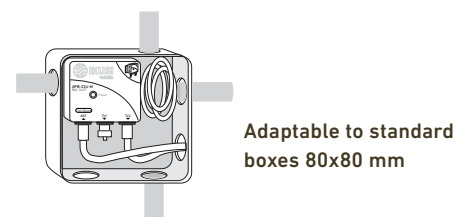
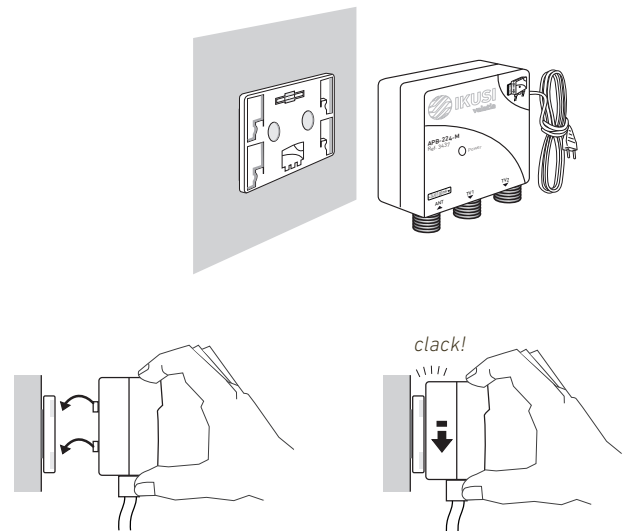
- The smallest on the market.
- It allows installation in any junction box.
- Optimum power consumption. Low power switch mode.
- Mounting without tools.
- 1 RF input connector + DC output port / 1 or 2 RF outputs ports.

MODEL	APB-224-M	
REF.	3437	
Regulation type	switch mode	
Outputs	2	
Mains voltage (50 Hz)	VAC	100 - 240
Output voltage	VDC	+24 (±5%)
Output current	mA	100
Frequency range	MHz	47 - 862
RF insertion loss	dB	≤ 4
Efficiency	%	>70
Dimensions	mm	50 x 50 x 25

Example d'installation



Quick Fix & Release bracket



Adaptable to standard boxes 80x80 mm