



Satellite reception LNB Offset UEU Series

Art. Ref. 1112
Art. Ref. 1113
Art. Ref. 1114
Art. Ref. 3083



UEU-121K



UEU-221K



UEU-421K



UEU-124K

| MODEL | | UEU-121K | UEU-221K | UEU-421K | UEU-124K |
|--|--------|-----------------------------------|-----------------------------------|-----------------------------------|-----------------------------------|
| REF. | | 1113 | 3083 | 1112 | 1114 |
| Type | | UNIVERSAL | TWIN | QUAD | QUATTRO |
| Input frequency | GHz | 10.70 - 12.75 | | | |
| Local oscillator | GHz | Low band 9.75 High band 10.60 | | | |
| Local Oscillator Temperature Drift (@ -40 ~ 60 °C) | MHz | ± 3 | | | |
| Output frequency | MHz | 950 - 2150 | | | |
| Phase noise at 10 kHz | dBc/Hz | -80 | | | |
| Gain | dB | 60 (±2) | | | |
| Noise figure typ | dB | 0.2 | | | |
| IF output | | 1 (VL or VH or HL or HH) | 2 (VL or VH or HL or HH) | 4 (VL or VH or HL or HH) | 4 (VL) (VH) (HL) (HH) |
| Control tone | | low band 0 Hz high band 22 kHz | low band 0 Hz high band 22 kHz | low band 0 Hz high band 22 kHz | low band 0 Hz high band 22 kHz |
| Consumption | mA | 100 | 190 | 210 | 190 |
| Relative humidity | % | 0 - 95 | 0 - 95 | 0 - 95 | 0 - 95 |
| Power supply | VDC | vert.: 11 - 14 hor.: 16 - 20 | vert.: 11 - 14 hor.: 16 - 20 | vert.: 11 - 14 hor.: 16 - 20 | vert.: 11 - 14 hor.: 16 - 20 |

Types of UEU LNB series:

UNIVERSAL, single output. Installation for a single receiver

TWIN, two direct outputs for two receivers

QUAD, four direct outputs for four receivers

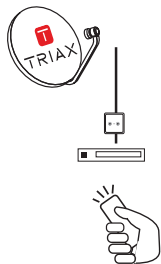
QUATTRO, four outputs with separate polarities for use with multiswitches

UEU-121K

UNIVERSAL

1 Output

VL or VH or HL or HH

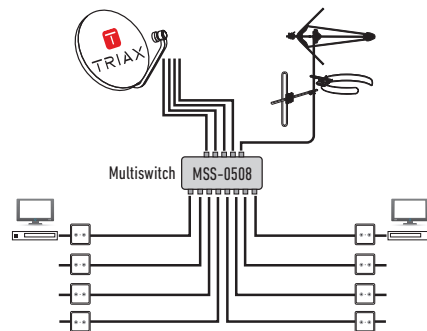


UEU-124K

QUATTRO

4 Polarities

(VL) (VH) (HL) (HH)

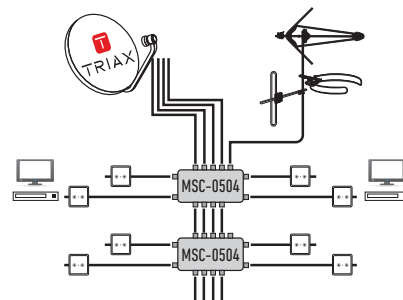
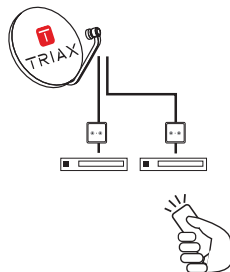


UEU-221K

TWIN

2 Outputs

VL or VH or HL or HH



UEU-421K

QUAD

4 Outputs

VL or VH or HL or HH

