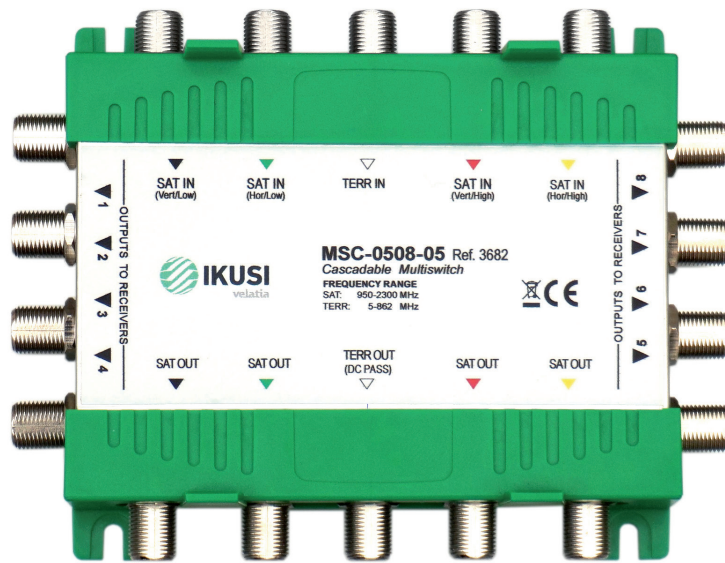




Cascadable multiswitch 5 inputs

Distribution of 4 SAT-IF polarizations and 1 terrestrial TV signal



External power supply unit
or from the SAT receiver



Satellite multi-inputs
+ passive terrestrial input

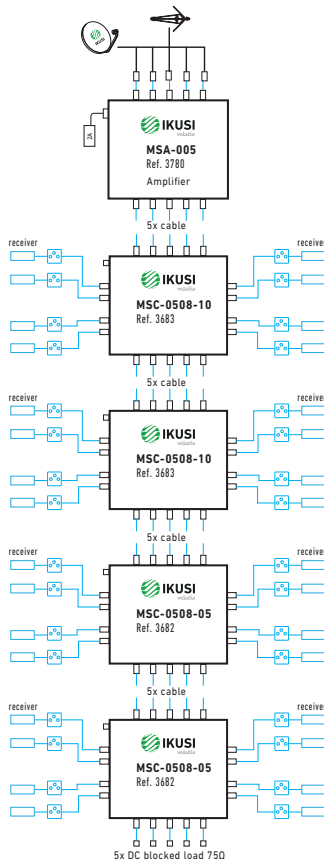


Low insertion loss
on trunk outputs

- Maximum recommended number of user outputs in a single cascade is 64.
- Stepped insertion loss on user outputs.
- Indoor mounting and wall fixing.
- European product.

MODEL		MSC-0504-05	MSC-0504-10	MSC-0508-05	MSC-0508-10	MSC-0512-05	MSC-0512-10	MSC-0516-05	MSC-0516-10
REF.		3680	3681	3682	3683	3684	3685	3686	3687
Number of inputs		5 (4 SAT inputs+1 TERR input)							
Number of outputs		5							
Number of user outputs		4	4	8	8	12	12	16	16
Frequency range SAT	MHz	950 - 2300	950 - 2300	950 - 2300	950 - 2300	950 - 2300	950 - 2300	950 - 2300	950 - 2300
Frequency range TERR	MHz	5 - 862	5 - 862	5 - 862	5 - 862	5 - 862	5 - 862	5 - 862	5 - 862
Insertion loss SAT trunk	dB	2	2	2	2	2	2	2	2
Insertion loss TERR trunk	dB	3	3	3	3	3	3	3	3
Insertion loss SAT user	dB	5	10	5	10	10	10	10	10
Insertion loss TERR tap	dB	18	21	21	24	22	22	22	22
Isolation between V/H polarizations at user output	dB	25	25	25	25	25	25	25	25
Isolation between bands L/H at user output	dB	30	30	30	30	22	22	22	22
Isolation between trunk lines	dB	30	30	30	30	30	30	30	30
Maximum input level SAT	dB μ V	90	90	90	90	90	90	90	90
Maximum input level TERR	dB μ V	110	110	110	110	110	110	110	110
Maximum user output level SAT	dB μ V	85	85	85	80	80	80	80	80
Maximum user output level TERR	dB μ V	92	89	89	86	85	85	85	85
Current consumption from receiver (18V)	mA	50	50	50	50	50	50	50	50
Operating temperature	°C	-30 ... +70	-30 ... +70	-30 ... +70	-30 ... +70	-30 ... +70	-30 ... +70	-30 ... +70	-30 ... +70
Dimensions (w x d x h)	cm	12.7 x 10.4 x 4.1	12.7 x 10.4 x 4.1	13.5 x 10.4 x 4.1	13.5 x 10.4 x 4.1	13.5 x 10.4 x 4.1	13.5 x 10.4 x 4.1	13.5 x 10.4 x 4.1	13.5 x 10.4 x 4.1

Application example



Amplifier

MODEL	MSA-005	
REF.	3780	
Number of inputs	5 (4 SAT inputs+1 TERR input)	
Number of outputs	5	
Frequency range SAT	MHz	950 - 2150
Frequency range TERR	MHz	40 - 862
Gain SAT	dB	10 - 15
Gain TERR	dB	10 - 15
Isolation between trunk lines	dB	25
Maximum input level SAT	dB μ V	103 - 98
Maximum input level TERR	dB μ V	99 - 94
Maximum output level SAT	dB μ V	113
Maximum output level TERR	dB μ V	109
Current consumption	mA	350
DC supply voltage	Vdc	9 - 20
Operating temperature	°C	-30 ... +70
Dimensions (w x d x h)	cm	12.7 x 10.4 x 4.1



Power supply

MODEL	PSA-012	
REF.	3784	
Input voltage	90-265 AC 50/60 Hz	
Output voltage	12 Vdc	
Maximal output current	2 A	
Efficiency	75 %	
Operating temperature	-30 ... +50 °C	
Dimensions	16 x 6.4 x 5 mm	

