



LNB with optical output

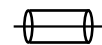
Satellite signal distribution, covering long distances without hardly any loss.



With an output power of 7 dBm, it can feed up to 32 distribution points over a great distance



It can distribute four polarities or 4 bands using a single optical fibre



An FC/PC connector allows single-mode optical fibre connection

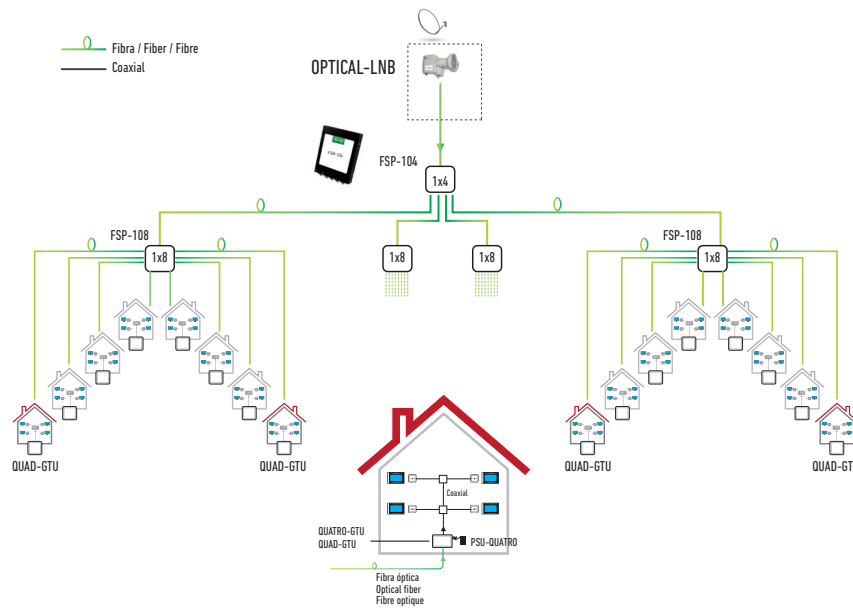
- A solution for satellite signal distribution, covering long distances without hardly any loss (< 0,3 dB/km).
- With an output power of 7 dBm, it can feed up to 32 distribution points over a great distance.
- It can distribute four polarities or 4 bands using a single optical fibre.
- An FC/PC connector allows single-mode optical fibre connection.
- Power supply using an independent F connector.

LNB with optical output

MODEL		OPTICAL-LNB
REF.		4956
Reception frequency range	GHz	10.7 - 12.75
Output frequency range LNB	GHz	0.95 - 5.45
Optical output		1
Optical power	dBm	7
Optical wavelengths	nm	1310

Noise figure to 25°C	dB	0.5
Max noise figure to 25°C	dB	1.1
Gain maximale	dB	72
Supply voltage	VDC	12
Image rejection	dB	40
Consumption	mA	450
Operating temperature	°C	-30 ... +60

Example d'application



Example d'application with multiswitches

