

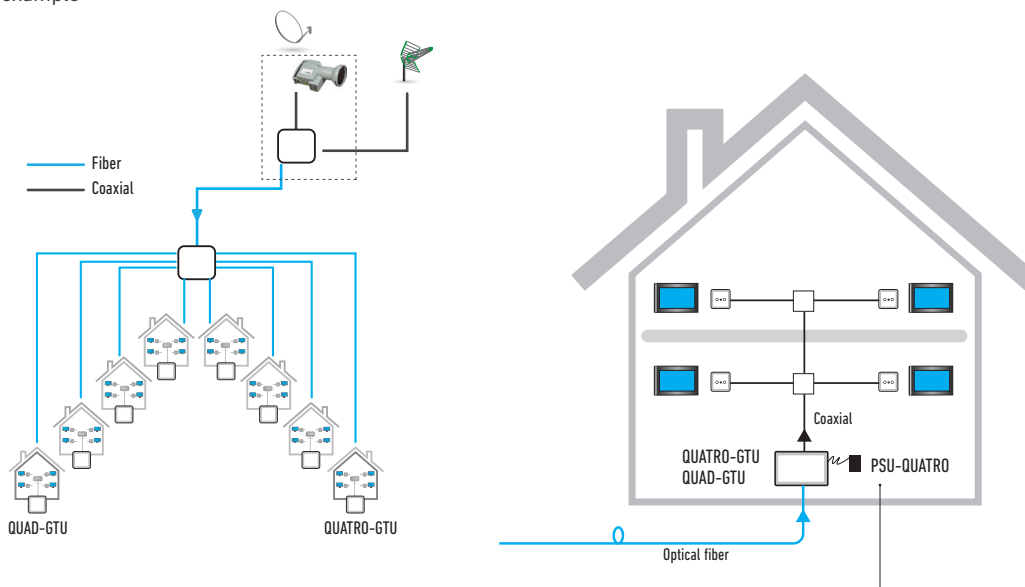
20 VDC power supply for QUAD-GTU and QUATRO-GTU optical receivers



Model	PSU-QUATRO	
Ref.	4951	
Input voltage	VAC / Hz	100-240 / 50/60
Output voltage	VDC	20
Max. output current	A	1.2
Power output	W	24
Overcurrent protection	A	5.5
Operating temperature	°C	0 - 40
Dimensions	mm	84.9 x 50 x 40.5
Weight	gr	200

- Switch-mode power supply
- Short-circuit protection
- Maximum output current 1.2 A

Application example



If there is no power supply or if the current supplied is not sufficient to power the QUATRO or QUAD optical receivers, the external PSU-QUATRO power supply unit (4951) must be fitted.