

## Extension Amplifiers

862 MHz Amplifiers three models with active return path, for the distribution of terrestrial TV signals.



Terrestrial signal



Reverse way



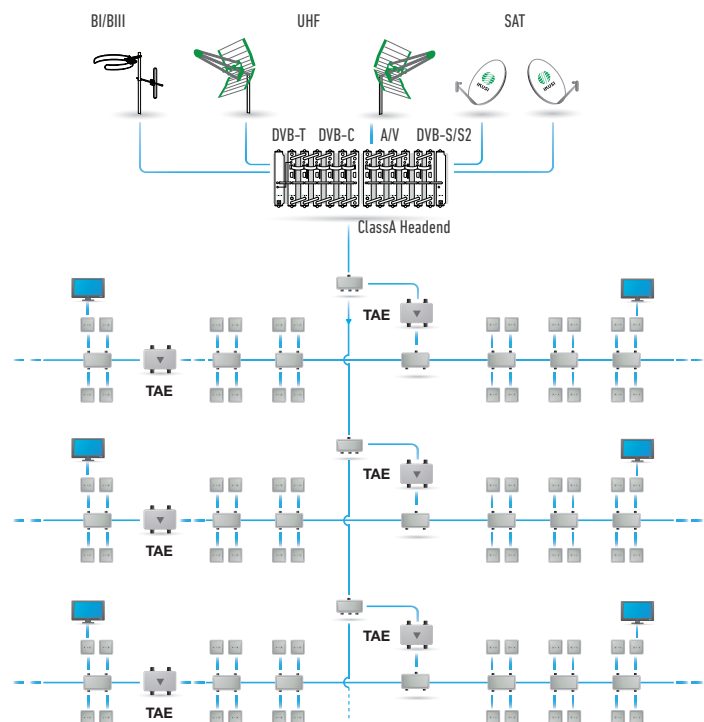
Low consumption



Attenuation and equalization adjustments

MODEL		TAE1125	TAE1120	TAE1118
REF.		3249	3264	3263
Powering mode		Mains	Mains	Mains
Bandwidth-Forward path	MHz	86 - 862	86 - 862	86 - 862
Bandwidth-Reverse path	MHz	5 - 66	5 - 66	5 - 66
Forward path				
Response flatness	dB	±0.75	±0.75	±0.75
Nominal gain	dB	35	35	35
Input variable attenuator	dB	0 - 18	0 - 18	0 - 18
Slope control range	dB	0 - 18	0 - 18	0 - 18
Noise figure	dB	≤ 5	≤ 8	≤ 8
Nominal Impedance (Input & Output)	Ω	75	75	75
Return Loss (Input & Output)	dB	≥10	≥10	≥10
Output level CTB, CSO -60dB (42 ch, EN 50083-3)	dBμV	109	104	102
Output test	dB	-30	-30	-20
Reverse path				
Nominal gain	dB	25.5	25.5	12
Input variable attenuator	dB	0 - 18	0 - 18	0 - 11
Noise figure	dB	≤ 7	≤ 7	≤ 7
Nominal Impedance (Input & Output)	Ω	75	75	75
Return Loss (Input & Output)	dB	≥16	≥16	≥16
Output level (-60dB, DIN 45004B)	dBμV	115	110	110
Output test	dB	-30	-30	-20
General				
Operating supply voltage	Vac	230-240	230-240	230-240
Consumption	W	15	10	10
Dimensions	mm	222 x 140 x 44	222 x 140 x 44	222 x 140 x 44

- TAE series, ideal for hotels and dense multiple dwelling units.
- 862 MHz amplifiers with active return path on all models.
- Mains or line powering 50/60. Operation shown by led. Mains lead insertable in connection socket.
- Attenuation and equalization adjustments of TV signals by potentiometer. Selection of return signal attenuation by the insertion of small plug-in links provided.
- Forward and reverse output test.
- Power Doubling technology (TAE1125) and Push-pull technology (TAE1120 and TAE1118).
- Zamak housing with protective cover for the adjustment controls. Wall fixing. Indoor mounting. Grounding terminal.
- Removable Power Supply.



• TAE model depends on the number of users and the expansion of the distribution network.