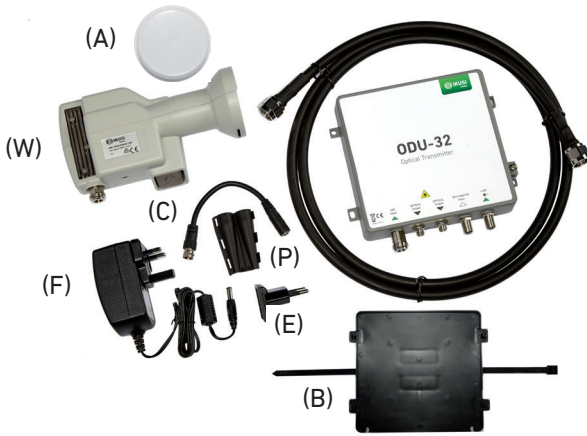


ODU32-KIT (4957) SATELLITE AND DTT TO OPTICAL SIGNAL CONVERTER KIT

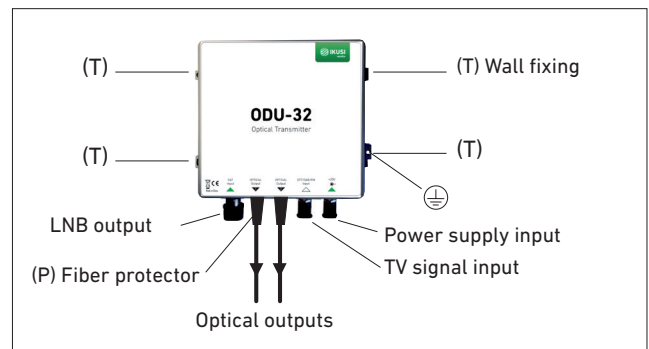
Optical fibre distribution of digital satellite and terrestrial signals in installations with up to 64 optical receivers.



Packing components:

- 1 Wholeband LNB (W) with coaxial output and cover (A)
- 1 ODU-32 optical transmitter
- 1 2 m coaxial cable equipped with N-connectors
- 1 Power supply unit (F) from 100 to 240 VAC/20 VDC 1.2 A with coaxial connector hose (C).

Accessories: Fibre protector (P), Plug with UK adapter (E), Support base for ODU-32 (B)



Installation example

